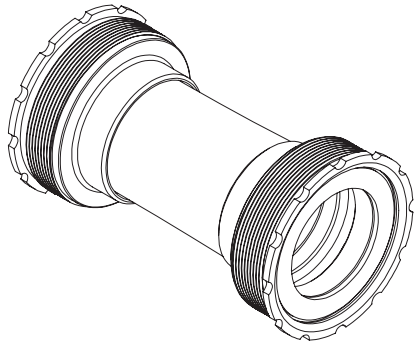




## T47 Road TO FSA 386EVO THREADED BB System

TRiPEAK Product NO.  
EMA-T4786-FS★



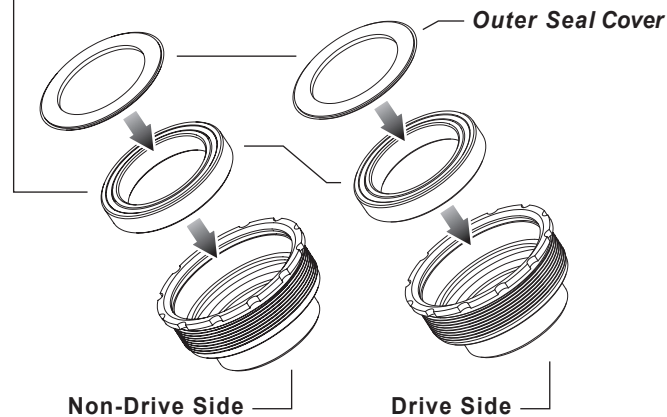
### Bearing Options

★ SB (Steel Bearing) / ★ CB (Ceramic Bearing)

Bearing Size : 30 X 42 X 7mm (6806-2RS)

Replacement Bearing set

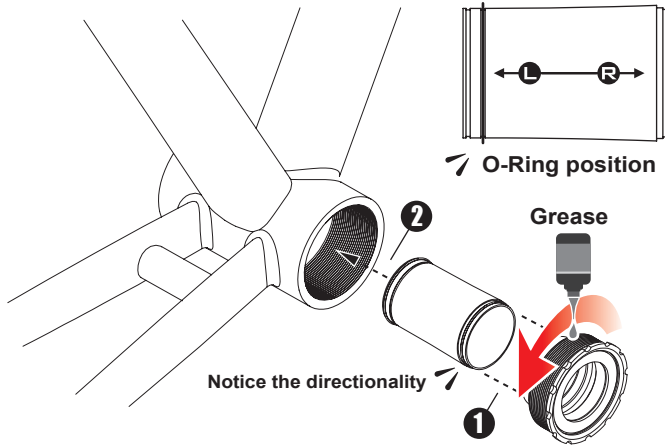
TRiPEAK item NO. SB : EMA-HP6806-2RS / CB : EMA-JC6806-2RS



### Step 1

#### THREADED (TWIST-LOCK)

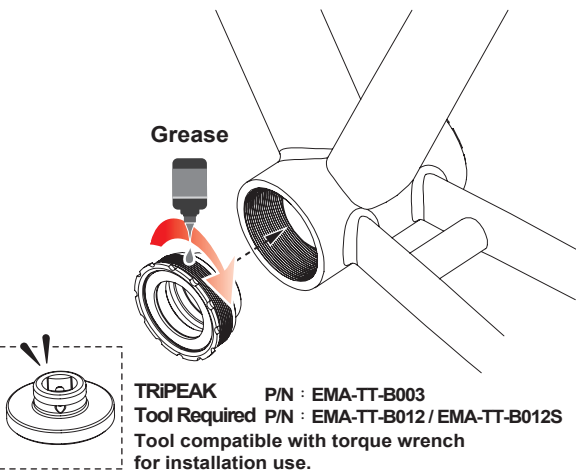
**DRIVE SIDE** Cup set lock to 30Nm



### Step 2

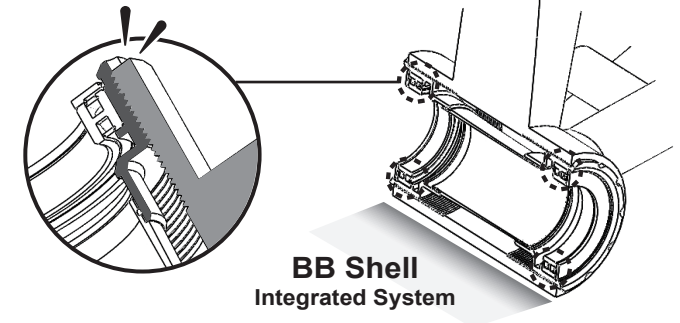
#### THREADED (TWIST-LOCK)

**Non-DRIVE SIDE** Cup set lock to 30Nm



### NOTICE

- To install TRiPEAK Bottom Bracket, we strongly recommend that you have a trained bicycle mechanic at your local bike shop.
- Do not alter this product in any way as it can cause unseen damage. Any modifications to this product will void the warranty.
- Make sure with the crankset are firmly attached to the bottom bracket. Improperly attached cranks can become detached from the BB set.
- When cleaning the bottom bracket set, only use mild soap and water. Never spray with high-pressure water. It will cause BB cup internal water ingress and influencing the bearing rolling lifetime.
- If you have any questions or concerns about this product Please feel free to contact us. E-mail: info@tripeakbearing.com



### Installed-Width

