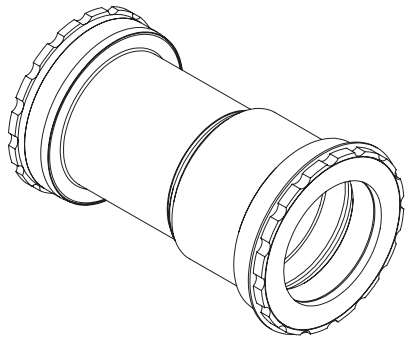




BB30A Road TO Si TWIST-FIT BB System

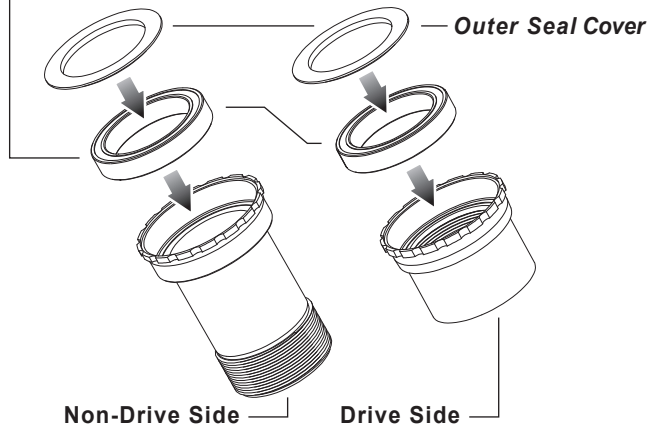
TRIPEAK Product NO.
EMA-TFBB30A30-SI★



Bearing Options

★ SB (Steel Bearing) / ★ CB (Ceramic Bearing)
Bearing Size : 30 X 40 X 7mm (40307-2RS)

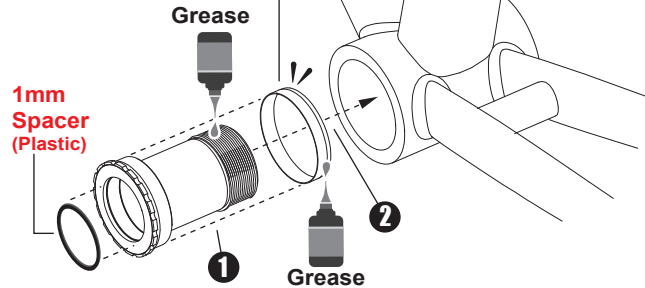
Replacement Bearing set
TRIPEAK item NO. SB : OEM-HP40307-2RS / CB : OEM-JC40307-2RS



Step 1 PRESS IN

Non-DRIVE SIDE

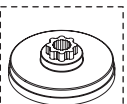
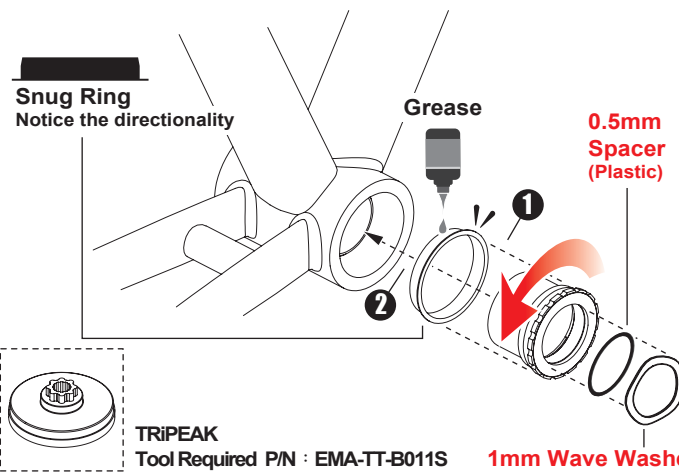
Snug Ring
Notice the directionality



Step 2 TWIST-LOCK

DRIVE SIDE Cup set lock to 30Nm

Snug Ring
Notice the directionality

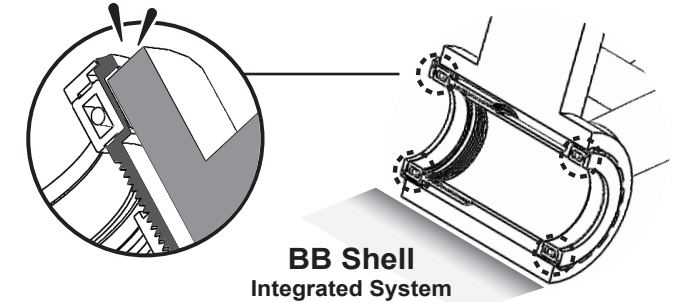


TRIPEAK
Tool Required P/N : EMA-TT-B011S

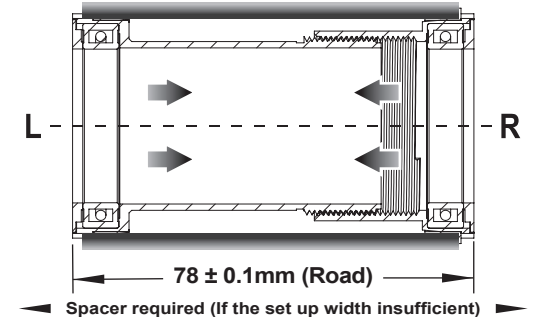
1mm Wave Washer

⚠ NOTICE

- To install TRIPEAK Bottom Bracket, we strongly recommend that you have a trained bicycle mechanic at your local bike shop.
- Do not alter this product in any way as it can cause unseen damage. Any modifications to this product will void the warranty.
- Make sure with the crankset are firmly attached to the bottom bracket. Improperly attached cranks can become detached from the BB set.
- When cleaning the bottom bracket set, only use mild soap and water. Never spray with high-pressure water. It will cause BB cup internal water ingress and influencing the bearing rolling lifetime.
- If you have any questions or concerns about this product Please feel free to contact us. E-mail: info@tripeakbearing.com



Installed-Width



Spacer required (If the set up width insufficient)